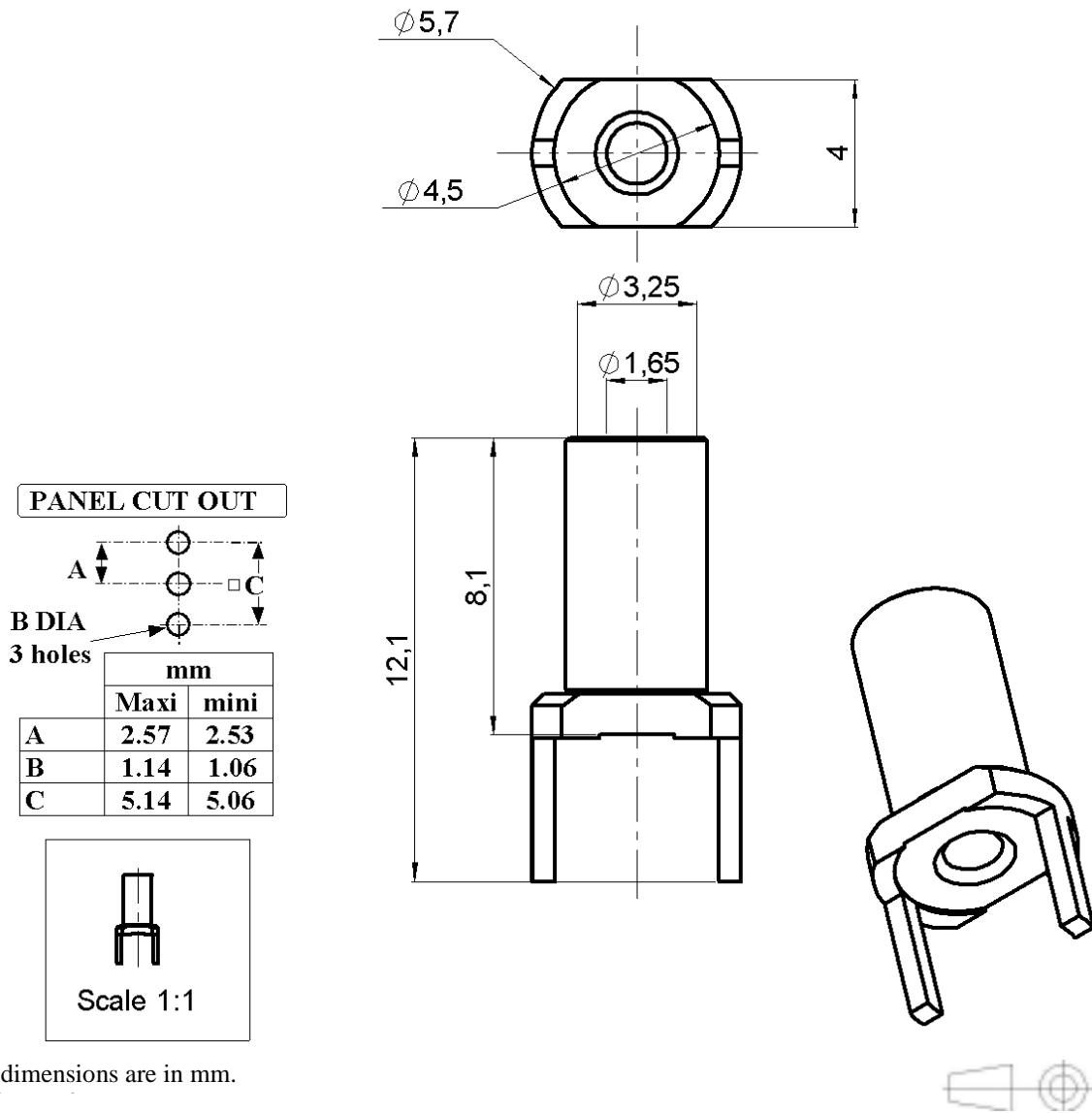


FEEDTHROUGH FOR P.C.B
CRIMPING TYPE CABLE 2.6/50 DBR

R280.280.200

Series : MCX



All dimensions are in mm.

COMPONENTS	MATERIALS	PLATINGS (µm)
BODY	BRASS	GOLD 0.2 OVER NICKEL 2
CENTER CONTACT	-	-
OUTER CONTACT	-	-
INSULATOR	-	-
GASKET	-	-
OTHERS PARTS	BRASS	GOLD 0.6 OVER NICKEL 2

Operating temperature : -55/+155 °C

Weight : 0.490 g

Others characteristics : -

Issue : 0148 B

In the effort to improve our products, we reserve the right to make changes judged to be necessary.



FEEDTHROUGH FOR P.C.B
CRIMPING TYPE CABLE 2.6/50 DBR

R280.280.200

Series : MCX

PACKAGING

Standard	Unit	Other
100	'W' option	Contact us

ELECTRICAL CHARACTERISTICS

Impedance **50 Ω**
Frequency **0-3 GHz**

MECHANICAL CHARACTERISTICS

Center contact retention
Axial force – Mating **NA N mini**
Axial force – Opposite **NA N mini**
Torque **NA N.cm mini**

ENVIRONMENTAL

Hermetic seal **NA Atm.cm3/s**
Panel leakage **NA**

SPECIFICATION**CABLE ASSEMBLY**

Stripping	a	b	c	d	e	f
mm	4	5	10	0.00	6	0.00

Assembly instruction : **Crimp11**

Recommended cable(s)
96 CEI 50-2-2DB
K02252d

Cable retention
- pull off **107 N mini**
- torque **NA N.cm**

TOOLING

Part Number	Description	Hexagon
R282.271.000	Crimping tool	3.25

Issue : 0148 B

In the effort to improve our products, we reserve the right to make changes judged to be necessary.

